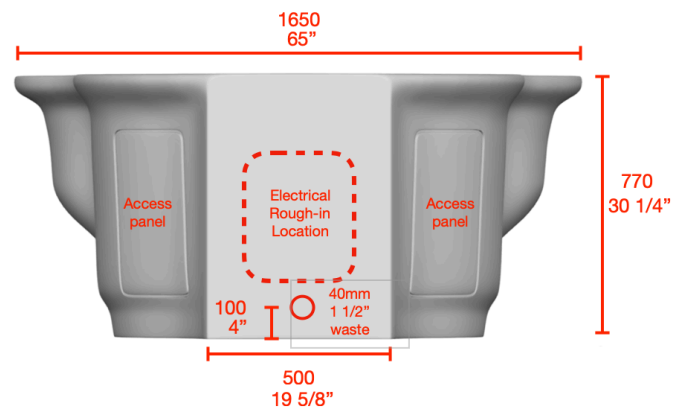
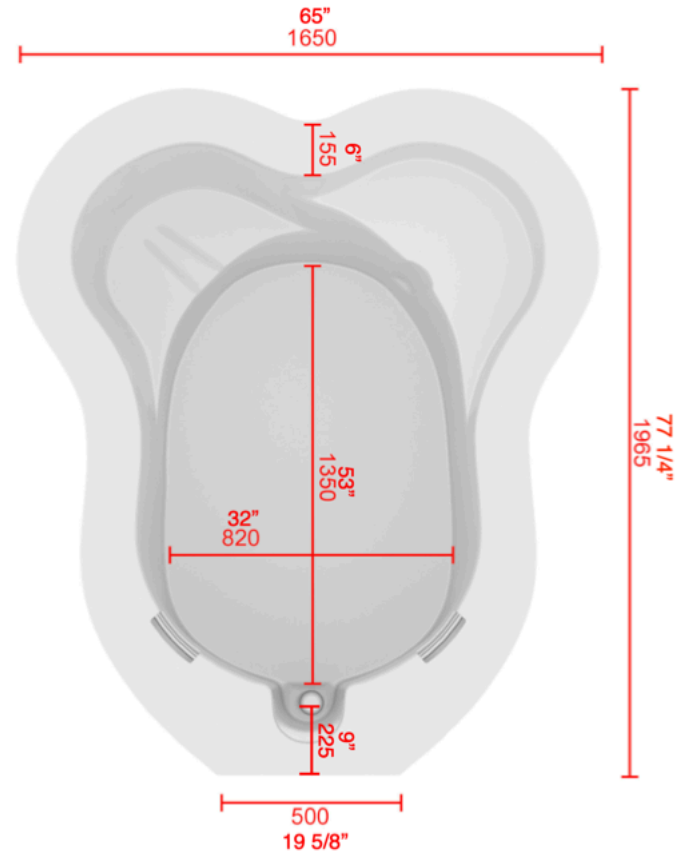


TECHNICAL SPECIFICATIONS

Active II Birth Pool

Material	Ficore composite
Capacity	560 liter / 145 gal (4" below rim)
Height	770mm / 30.25"
Width	1650mm / 65"
Length	1965mm / 72.25"
Water Depth	640mm / 25" (4" below rim)
Weight (empty)	100kg / 220 lbs
Shipping Crate	205 x 181 x 97cm / 81" x 71" x 38"
Shipping Weight	220kg / 485 lbs
Birth Stool	2 - 1 @ water level, 1 submerged
Handles	2 - Chrome, permanent (Electrical grounding available upon request)
Drain Mechanism	40mm / 1 1/2" Mechanical pop-up—brass with cable mechanism, rim mounted control, removable and height adjustable chrome stopper
Waste Plumbing	40mm / 1 1/2" PVC - Shallow P-trap included - thru-wall (or thru-floor connection - omit supplied p-trap)
Access Panel	2 - right and left rear of pool - 10mm hex key lock
Chromotherapy Light (optional)	1 - 9 light, 11 color LED: White, light blue, dark blue, purple, magenta, red, pink, orange, yellow, light green, dark green
Transformer (optional)	120VAC to 12VDC 0.5A - CSA and UL Certified - NEMA 5-15 plug
Light Controls (optional)	Rim mounted - chrome, sealed, four button - Mounted on right side unless specified
Step Stool (optional)	18" x 12" x 6", 8.5 lbs, Ficore composite



NOTE: Dimensions are in millimeters if not indicated otherwise.

Active II Water Birth Pool

Multi-colour Lighting and Blue-tooth Sound create a conducive atmosphere for physiological labour and natural birth

The organic shape of this luxurious pool is appealing both physically and psychologically

Seamless one-piece fabrication in Ficore composite denies bacteria a place to grow

The distinctive keyhole shape channel protects mothers from hitting their heads on the spout

Recessed hand grips do not obstruct movement around the rim and provide support in upright postures

Superior material highly resistant to bacteria and chemicals

The highly polished surface is ultra-smooth, less slippery and warm to the touch

The wide wrap-around rim maximises comfort and usability for mothers and midwives

Portable hoist compatible

There is maximum space under the rim for midwives to sit closely in comfort

Simple and safe for mothers to get in and out of the pool

The bull-nose rim provides a firm hand hold for mothers in all positions

The Safety Seat facilitates monitoring and emergency evacuations

Optimum space, and depth and give mothers complete freedom of movement

The Labour Support Seat provides support in upright positions and a place for mothers to rest and welcome their baby

