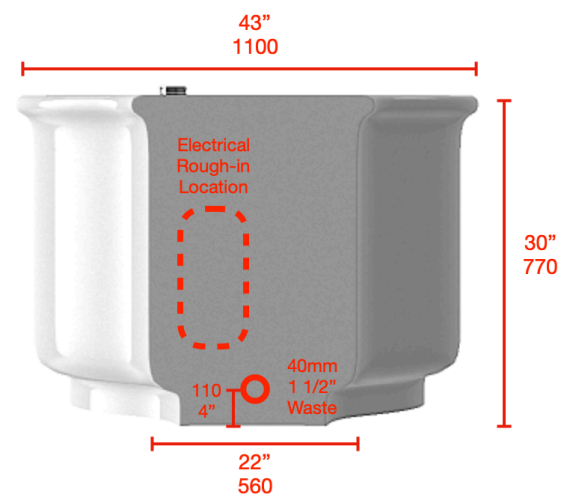
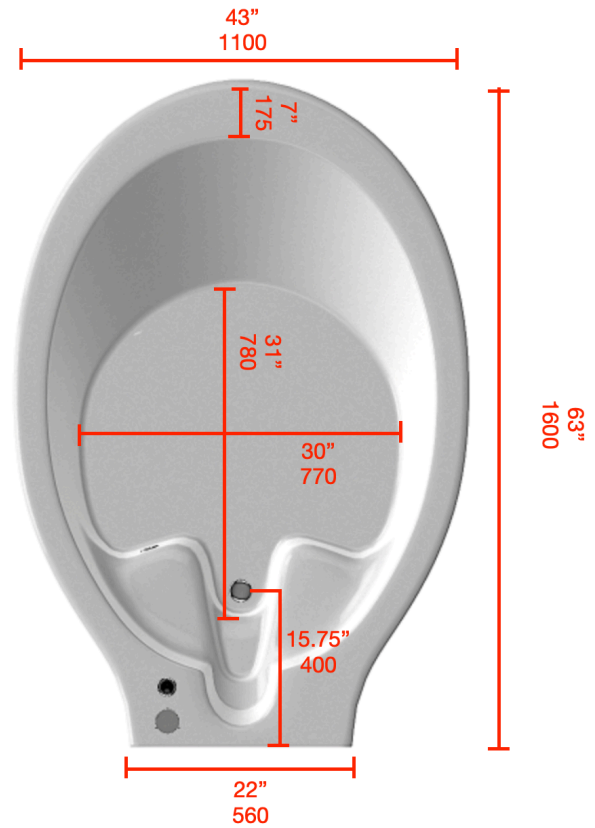


TECHNICAL SPECIFICATIONS

Princess II Birth Pool

Material	Ficore composite
Capacity	425 liters / 112 Gallons (4" below rim)
Height	770mm / 30"
Width	1100mm / 43"
Length	1600mm / 63"
Water Depth	640mm / 25" (4" below rim)
Weight (empty)	70kg / 154 lbs
Shipping Crate	167 x 117 x 89cm /66" x 46" x 35"
Shipping Weight	145 kg / 320 lbs
Birth Stool	1 - Submerged
Handles	None
Drain Mechanism	40mm / 1 1/2" Mechanical Pop-up— Brass with cable mechanism, rim mounted control, removable and height adjustable chrome stopper
Waste Plumbing	40mm / 1 1/2" PVC - Shallow P-trap included - thru-wall (or thru-floor connection - omit supplied p-trap)
Access Panel	2 - right and left rear of pool - 10mm hex key lock
Chromotherapy Light	1 - 9 light, 11 color LED: White, light blue, dark blue, purple, magenta, red, pink, orange, yellow, light green, dark green
Transformer	110VAC to 12VDC 0.5A - CSA and UL Certified - Nema 5-15 Plug
Light Controls	Rim mounted - chrome, sealed, four button - Mounted on right side unless specified
Step Stool	18" x 12" x 6", 8.5 lbs, Ficore composite



NOTE: Dimensions are in millimeters if not indicated otherwise.

Princess II Water Birth Pool

Multi-colour LED Lighting System gives mothers six ambient colours to choose from

The ultra-hard material is less slippery and more resistant to bacterial and cleansing agents

The key-hole shape channel in the rim protects mothers from hitting their head on the spout

Bluetooth Sound System with integral speakers for mothers to play music of their choice

The Labour Support Seat provides support in upright positions and a place for mothers to rest

Bespoke drainage system with pop-up waste and rim mounted control

Midwives sit in comfort with their legs under the pool and arms resting on the extra-wide rim

The extra-wide front rim makes it easy for mothers to get in and out of the pool

The bull-nose shape wrap-around rim provides mothers and midwives with maximum comfort and support

The Lumbar Support provides exceptional support for mothers in squatting positions

Safe, practical options to facilitate emergency evacuation with or without a portable hoist

There's plenty of room for mothers to move freely to gain maximum benefit from water immersion

